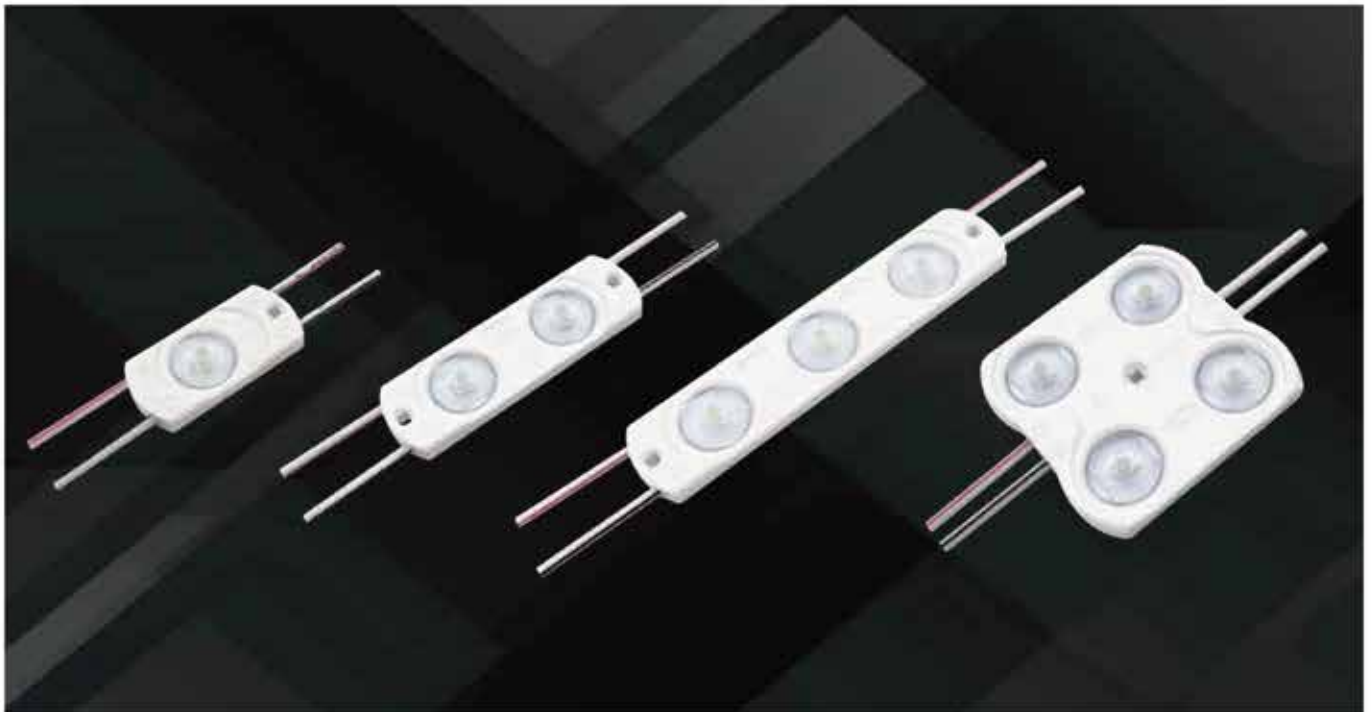


DIAMOND STANDARD LED MODULES



Features

- Powered by high output 2835 LED.
- Constant voltage .
- Diamondback 170° optic lens.
- 20 PCS per string
- CE, RoHS,UL,TUV, BIS, CB and LM-80 certified.

Application

- Apply to 4–15 cm depth illuminated letter or light box at airports, metros, banks, buildings and shopping malls, etc.

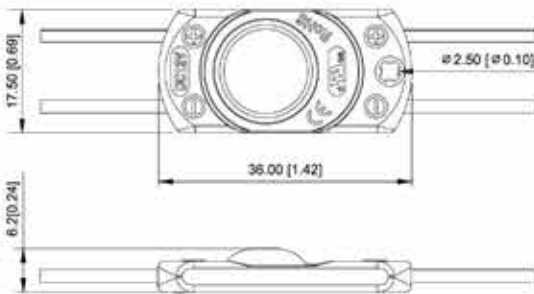
Parameters

Items	Parameters			
Part Number	ZE01BA3	ZE02BA3	ZE03BA3	ZE04BA3
CCT (K)	7000K	7000K	7000K	7000K
Beaming Angle (°)	170°	170°	170°	170°
CRI (Ra)	≥75	≥75	≥75	≥75
Luminous Flux (lm)	40	80	120	160
Voltage (V)	DC12	DC12	DC12	DC12
Power (W)	0.4	0.8	1.2	1.6
Driving Method	Constant voltage	Constant voltage	Constant voltage	Constant voltage
Dimension (mm)	36*17.5*6.2	56*17.5*6.2	80*17.5*6.2	45*43*6.2
Working Tem. (°C)	-25 ~ +60	-25 ~ +60	-25 ~ +60	-25 ~ +60
Storage Tem. (°C)	-25 ~ +70	-25 ~ +70	-25 ~ +70	-25 ~ +70
Protection Grade	IP65	IP65	IP65	IP65

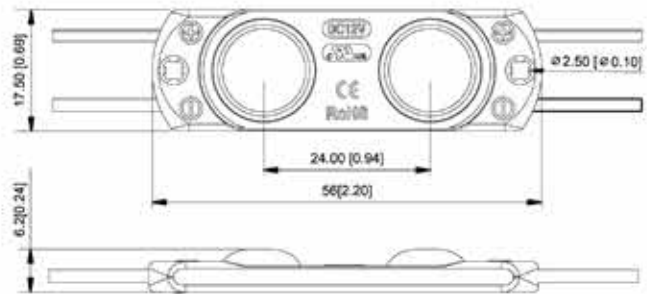
Dimension

Unit: mm

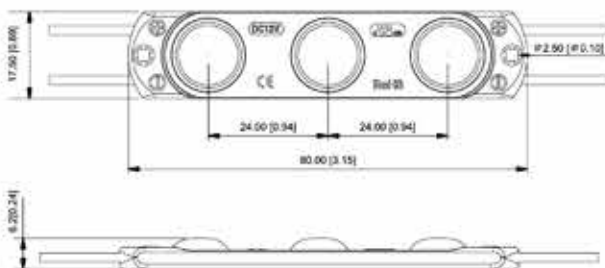
ZE01BA3



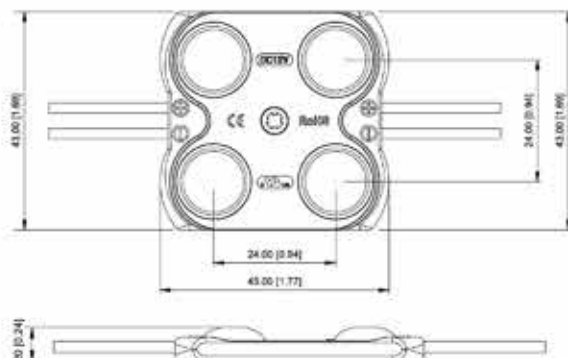
ZE02BA3



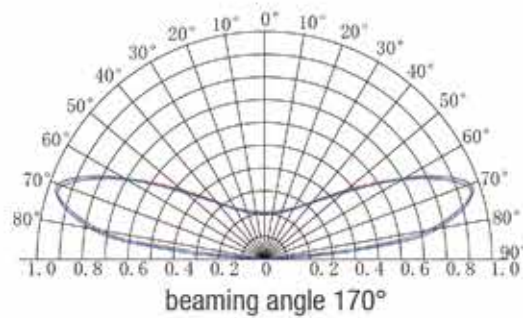
ZE03BA3



ZE04BA3



Beaming Angle

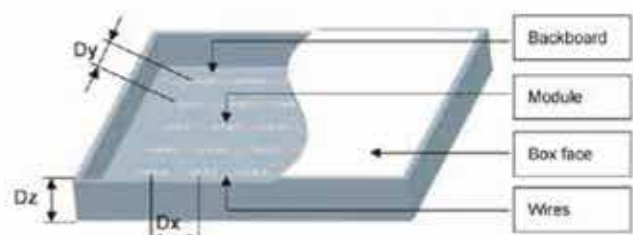


Reference Scheme

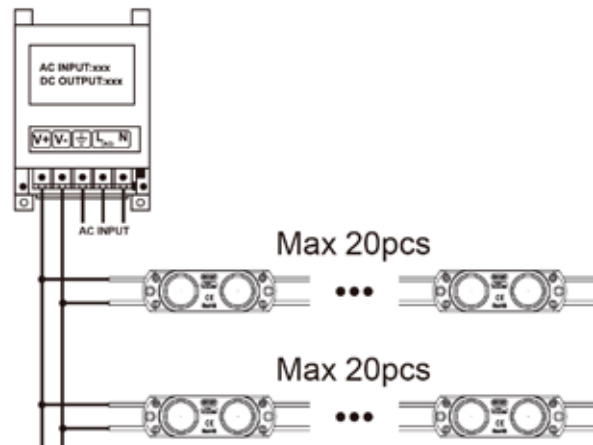
Part Number	Depth(mm)	Distance(mm)	Density(pcs/m ²)	Illumination(lux)
ZE01BA3	Dz=30	Dx=60 Dy=60	278	3200–3500
	Dz=40	Dx=75 Dy=75	178	2700–3000
	Dz=50	Dx=90 Dy=90	123	1800–2100
	Dz=60	Dx=110 Dy=90	101	1300–1600
Part Number	Depth(mm)	Distance(mm)	Density(pcs/m ²)	Illumination(lux)
ZE02BA3	Dz=40	Dx=90 Dy=60	185	5300–5800
	Dz=50	Dx=110 Dy=80	114	2700–3000
	Dz=60	Dx=130 Dy=90	85	2500–2800
	Dz=80	Dx=160 Dy=90	69	1600–1900
	Dz=100	Dx=160 Dy=90	69	1400–1700
Part Number	Depth(mm)	Distance(mm)	Density(pcs/m ²)	Illumination(lux)
ZE03BA3	Dz=60	Dx=130 Dy=90	85	4300–4700
	Dz=80	Dx=150 Dy=90	74	2800–3200
	Dz=100	Dx=180 Dy=90	62	1800–2300
	Dz=120	Dx=180 Dy=90	62	1300–1700
	Dz=150	Dx=180 Dy=90	62	1000–1300
Part Number	Depth(mm)	Distance(mm)	Density(pcs/m ²)	Illumination(lux)
ZE04BA3	Dz=80	Dx=130 Dy=100	77	4000–4500
	Dz=100	Dx=150 Dy=100	67	2500–3000
	Dz=120	Dx=150 Dy=100	67	2000–2400
	Dz=150	Dx=150 Dy=100	67	1500–1800
	Dz=180	Dx=150 Dy=100	67	1300–1600

Remark:

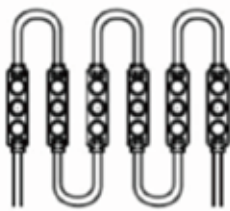
01. The transmittance of the Acrylic was 56%.
02. The above data is for reference only.



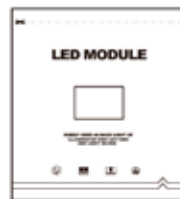
Wire Connection



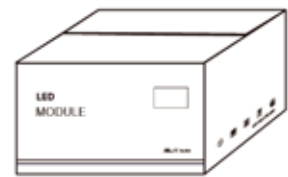
Packing



20pcs per string



100 pcs in an anti-static bag



1500/1000 pcs in a carton

Packing Specification

- Antistatic bag adopted
- Packing information

Part Number	ZE01BA3	ZE02BA3	ZE03BA3	ZE04BA3
Carton Dimension(mm)	490*450*220	490*450*220	490*450*220	490*450*220
Bags Per Carton	15	10	10	10
Quantity Per Carton(pcs)	1500	1000	1000	1000
Net Weight(kg)	9.2(1±10%)	8.3(1±10%)	11.2(1±10%)	14.65(1±10%)
Gross Weight(kg)	10.3(1±10%)	9.4(1±10%)	12.3(1±10%)	15.76(1±10%)

Due to the packing manner difference, please adhere to the original products in case of discrepancy found between the picture and actual product.

Self-provided tools & material



Dust brush, cutter, pencil, wire stripper, and drill



Wire Connector (Standard)



Screw



Power Supply

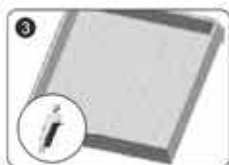
Installation Guidance



- Clean inside the light box.



- Determine the appropriate layout.



- Peel tape backing and stick modules into place.



- Remove the unneeded modules.
- ⚠ Note: Cut in the middle position of the wires between modules.



- Strip the end wire for 10mm and cap with the wire connector. Waterproof and anti-corrosion must be done on the connectors.



- Locate modules in the optimal position and secure with screws or neutral glass cement, which should be applied at the edge of the modules.

⚠ Note: Avoid breaking the module and wire when fixing with a drill.



- Drill a hole for connecting power cable. Fixation and protection for the cable must be done on the hole.

⚠ Note: Avoid breaking the light box in drilling the hole.



- Connect to the power cable and make sure that the polarity for connection is correct.

⚠ Note: Red wire is positive and black wire is negative.

Instructions

01. Disassembling or modifying the product is not allowed.
02. Installation with power on is not allowed.
03. Any organic solvent chemical is not allowed.
04. Acidic or alkaline adhesive is not allowed when install, neutral glass cement could be used for installation purpose, make it drying in open environment for four hours.
05. Isolation and corrosion prevention on all wiring points and wire ends.
06. Make sure the power wire is thick enough and ensure the voltage and connections are connected correctly before power on.
07. This product should be used in a sign, do not expose it in opening site.
08. Installation, maintaining should be done by professional staff.
09. The maximum connection is 20pcs for the constant voltage version, and 50pcs for the constant current version.
10. Please do not exceed this number.
11. The power wire between power supply and module should be less than two meters to keep the same brightness on all parts.
12. Initial location with 3M tape, then secure with screws.

Declaration

01. Warranty: 5 years.
02. In order to ensure the safety, the broken wires need to be replaced by the manufacturer or the service agent, or by the staff with the similar qualification.
03. The given data in the specification was based on the laboratory testing, there may be discrepancy found in the actual products.
04. The given drawings in the specification are only for reference, there may be discrepancy found in the actual products.
05. The products are subject to change without prior notification.